

VOOPOO[®]

SPARK YOUR LIFE

DRAG mini

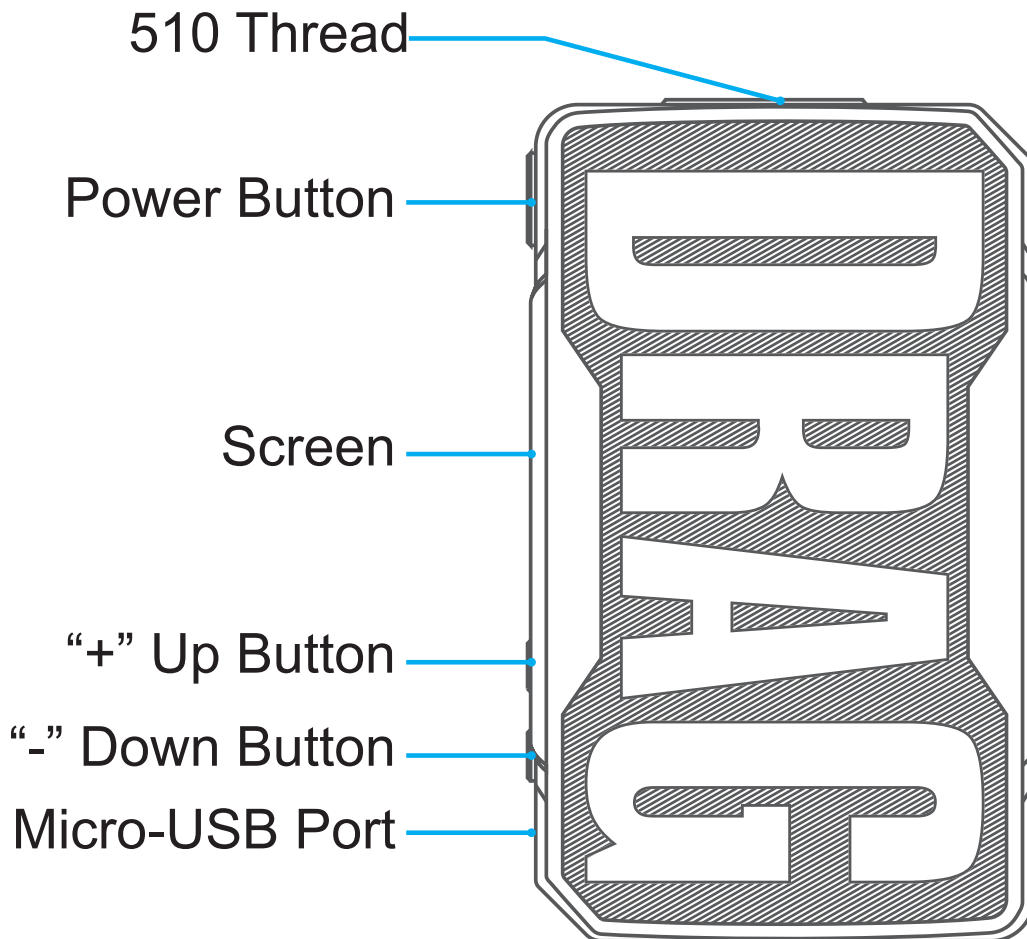
Manual Instruction

Introduction:

Thanks for your purchase of a VOOPOO product. For the better use of all the functions of this product, please carefully read the operation notes and detailed functional instructions before your first use of this product. If you have any problems with using this product, please contact our local agent or visit our official website at www.voopoo.com.

Product description :

1. Appearance & Main Parameters:



Parameters :

Size : 81.5 x 48.5 x 25.5mm

Power Output : 5-117W

Battery : Build-in battery,4400mAh

Program upgradable : Yes

Resistance Range :

Non-TC wire : 0.05-5.0 Ω ($\pm 5\%$)

TC wire : 0.05-1.5 Ω ($\pm 5\%$)

2. Electric Parameter :

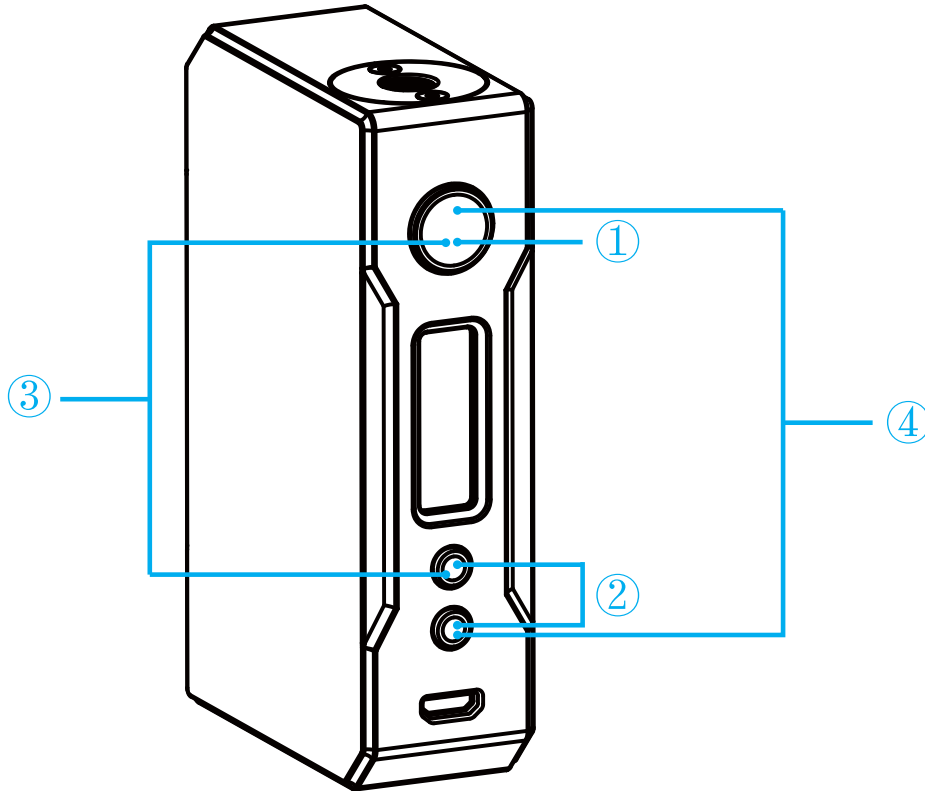
NO.	Item	Range	Accuracy	Unit
1	Working voltage	6.4 ~ 8.5	±0.1	V
2	Output voltage range	0 ~ 7.5	±2%	V
3	Overheat protection	80	±5%	°C
4	Input charging voltage	5	±0.25	V
5	Output charging voltage	1800	±5%	mA
6	Quiescent current	≤10	-	uA
7	Temperature Range	200-600 °F 100-315 °C	-	°F °C
8	Power conversion efficiency	95%	-5% ~ 0	%

3. Seven Security Protection :

- Overtime protection
- Over temperature protection
- Output over-current protection
- Overcharge protection
- Low battery protection
- Atomizer short-circuit protection
- Support balance charge

Instructions :

1. Basic Operation



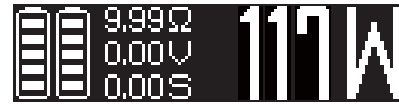
- ①. Press the fire button for 5 times: Power on/off
Press the fire button for 3 times: Sequentially switch from FIT mode → Power mode → TC mode
- ②. Press “+” and “-” buttons simultaneously:
Enter function menu
- ③. Press the fire and “+” buttons simultaneously:
Lock/Unlock
- ④. Press the fire and “-” buttons simultaneously:
Switch screen orientation.

2. Four Mode Settings :

FIT Mode



Power Mode



TC Mode



Custom Mode



3. Four Mode Operations :

A. FIT Mode:



a). Boot default , Press “+” or “-” button to select the three options .

B. Power Mode:



a). Adjust the wattage from 5W to 117W, The product automatically recommends the output wattage according to the resistance of the atomizer when it detects that a new atomizer has been attached.

b). Press up and down buttons at the same time, enter function menu:



Power Mode



Custom Mode



Series Number



Software Version

C. TC Mode: 

- a). Support SS, Ni, Ti, NC, TC, 5 kinds of heating wire, factory default SS, Ni, Ti, Connect computer APP to open NC, TC;
- b). Temperature control adjustable range :
200-600 °F / 100-315 °C
 - When the temperature setting is at 100 °C , keep pressing “-”, it will turn to be 600 °F ;
 - When the temperature setting is at 200 °F , keep pressing “-”, it will turn to be 315°C.
- c). To adjust wattage while in TC Mode, press fire button 4 times rapidly to activate wattage adjustment. You will see the “W” wattage icon flashing. The wattage can be adjusted from 5W to 80W.
- d). Press “+” and “-” Simultaneously, Enter function menu :



TC Mode



Coil Cooling Value



Custom Mode



Coil Coefficient

e). Coil cooling value range : 0.05 ~ 1.50Ω

D. Custom Mode:

a). Custom mode under Power mode or TC mode:

- Press “+” and “-” Simultaneously, Enter function menu , select and Switch M1 to M5;
- Press fire button 4 times, Switch : FIT mode → Power customization (W)→TC customization (SS, Ni, Ti);

b). Under Custom Mode, there are 2 ways to adjust the value :

- Manually switch custom curve per second (Shortly press fire button 4 times to enter the curve interface, press UP/DOWN to adjust, then long press fire button to exit.), see the chart below:



Power curve—current watt shown on top right



TC curve—current temperature shown on top right

- Connect to a computer app for custom settings

More instructions :

A. Sleep Mode:

Screen will auto turn off in 30s without operations, and will enter standby mode in 30min without operations/usage after screen is turned off. To activate, press power button.

B. Charging Mode :

The device will enter charging state with the battery icon running when it's connected to 5V power supply with USB cable; when the device is fully charged, the battery icon will stop running.

Note: It takes 2 hours to fully charge the device (5V/2A charger required).

C. Computer customization :

You can do the following customization operations via the VOOPOO Firmware: Prompt page, Temperature coefficient, Temperature curve, Wattage Curve, Increase /Decrease Coil type and Device Upgrade etc.

Download address: <http://www.voopoo.com>.

D. Function tips :

TIME OUT

TIME OUT

LOW WATTAGE

CHECK
BATTERY

CHECK COIL

NEW COIL YES(+)
NO(-)

ATOMIZER SHORT

ATOMIZER
SHORT

NO ATOMIZER

ATOMIZER RESISTANCE
HIGH

**CHECK
ATOMIZER**

**HIGH
ATOMIZER**

HIGH TEMPERATURE

HIGH TEMP

E. Accommodation coefficient of the
TC wire : $\frac{^{\circ}\text{F}}{^{\circ}\text{C}}$

Coefficient Range	Standard Default Value
Ni: 6000-7000	6500
Ti: 3500-4500	4000
SS: 1000-1600	1300
NC: 20-600	400
TC: 100-700	1000

Note:

1. The higher coil coefficient you set, the higher coil temperature you get;
2. Because of the different material for the wire, you may feel the power is not strong enough when vaping, you can properly adjust the coil coefficient at a higher rate to get a better vaping experience;
3. Please adjust the coil coefficient at a low rate, if too high there is a risk of firing cotton.

Attention :

- a. Please keep device away from heat, fire and water.
- b. Please do not drop, throw or immerse the device in water.
- c. Please use the proper working mode according to your atomizer's material.
- d. Please turn off or lock the device to avoid mis-firing when you take it on the go.
- e. Keep the contents of this package out of reach of children and pregnant women.

Manufacture:

VOOPOO[®]

Address : Block 1, Shapuyangyong
Industry Park, Songgang, Bao'an District,
Shenzhen , Guangdong , China .

Email : support@voopotech.com

Website : www.voopoo.com

Instagram : [voopotechofficial](https://www.instagram.com/voopotechofficial)

Facebook : [voopotech](https://www.facebook.com/voopotech)

Contact in EU :

Vaping Legal Ltd

Address : Armstrong House , First Avenue ,
Robin Hood Airport , Doncaster .
DN9 3GA. UK

Email : compliance@tpdcompliance.eu



Designed by Voopoo in California

www.voopoo.com

Made in China