

VOOPOO[®]

SPARK YOUR LIFE

REX

Manual Instruction

Introduction:

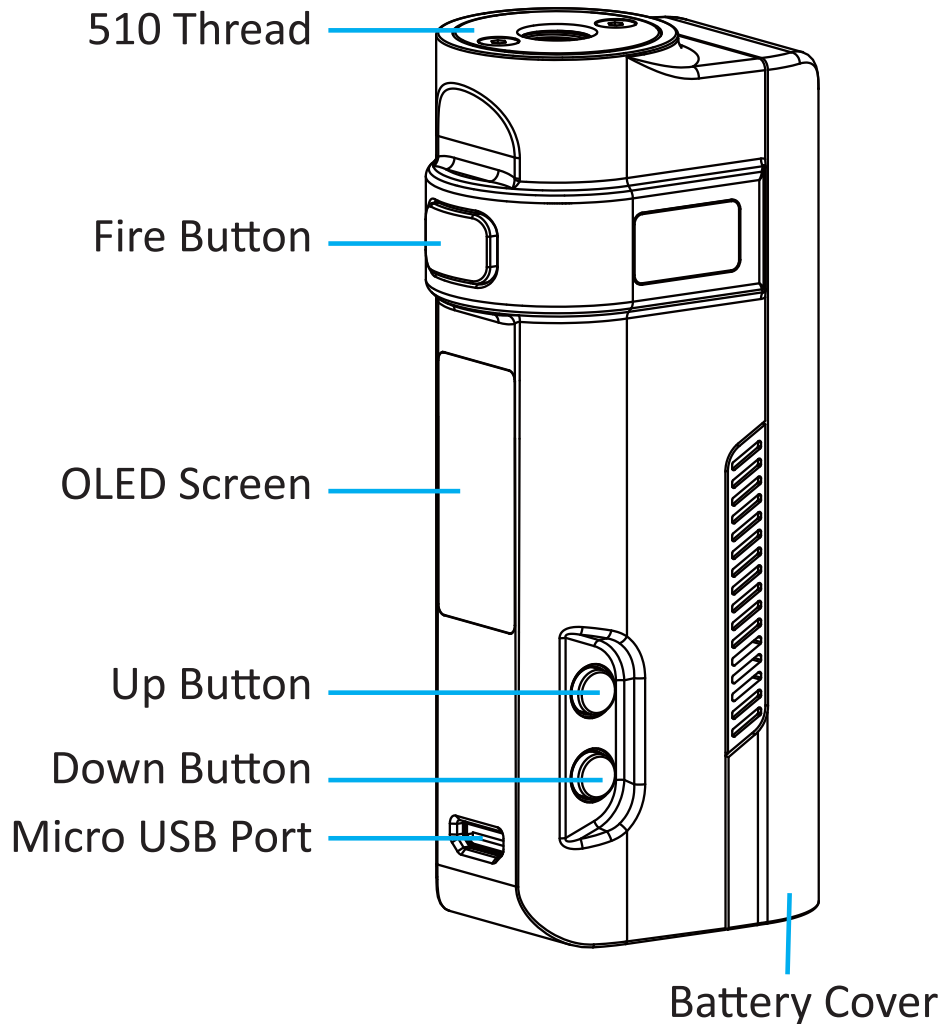
Thanks for your purchase of a VOOPOO product. In order for you to have better use of all the functions of this product, please carefully read the operation notes and detailed functional instructions before your first use of this product. If you have any problems with using this product, please contact our local agent or visit our official website at www.voopoo.com.

Seven Security Protection :

- Overtime protection
- Over temperature protection
- Output over-current protection
- Overcharge protection
- Low battery protection
- Atomizer short-circuit protection
- Battery anti-reverse protection

Product description :

1. Appearance & Main Parameters:



Parameters :

Size : 88 x 38 x 24mm

Power Output : 5-80W

Battery : Single Battery, 18650 x 1

Resistance Range :

Non-TC wire : 0.05-5.0 Ω ($\pm 5\%$)

TC wire : 0.05-1.5 Ω ($\pm 5\%$)

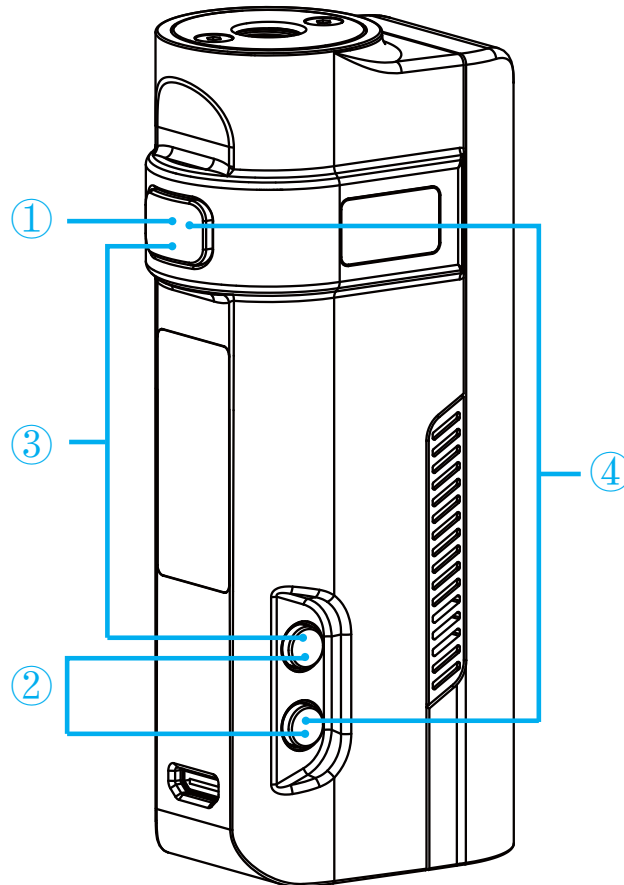
Program upgradable : YES

2. Electric Parameter :

NO.	Item	Range	Accuracy	Unit
1	Working voltage	3.2~4.2	±0.1	V
2	Working current	1~40	±5%	A
3	Output voltage range	0~8.5	±2%	V
4	Output current range	0~40	±5%	A
5	Resistance under Wattage Mode	0.05~3.0	±5%	Ω
6	Resistance under TC Mode	0.05~1.5	±5%	Ω
7	Output Power	5~80	±2%	W
8	Charging Voltage	5	±0.25	V
9	Charging Current	1000	±5%	mA
10	Quiescent Current	≤10		uA
11	Temperature Range	200-600°F 100-315°C		°F °C
12	Working Efficiency	95%	-5%~0	%
13	Firmware Upgradable	YES		

Instructions :

1. Basic Operation



- ①. Turn ON / OFF: Press fire button 5 times
Switch Mode: Press fire button 3 times
- ②. Enter the function Menu interface: Press “+” and “-”
- ③. LOCK/UNLOCK: Press Fire button and “+”
- ④. Switch screen orientation: Press Fire button and “-”

2. Four Mode Settings :

FIT Mode



Power Mode



TC Mode



Custom Mode



3. Four Mode Operations :

A. FIT Mode: 

a). Boot default , Press up or down button to select the three options .

B. Power Mode: 

a). Adjust the wattage from 5W to 80W, The product automatically recommends the output wattage according to the resistance of the atomizer when it detects that a new atomizer has been attached.

b). Press up and down buttons at the same time , enter the function Menu interface :



Power Mode



Custom Mode



Series Number



Software Version

C. TC Mode:

- a). Support SS, Ni, Ti, NC, TC, 5 kinds of heating wire, factory default SS, Ni, Ti, Connect computer APP to open NC, TC ;
 - When the temperature setting is at 100 °C , keep pressing “-”, it will turn to be 600 °F ;
 - When the temperature setting is at 200 °F , keep pressing “-”, it will turn to be 315°C.
- b). To adjust wattage while in TC Mode, press fire button 4 times rapidly to activate wattage adjustment. You will see the “W” wattage icon flashing. The wattage can be adjusted from 5W to 80W.
- c). Press “+” and “-” at the same time , Enter the function Menu interface :



TC Mode



Custom Mode



Coil Cooling Value




Coil Coefficient

d). Coil cooling value range : 0.05 ~ 1.50Ω

D. Custom Mode: 

a). Custom mode under Power mode or TC mode:

- Press “+” and “-” at the same time, Enter the function Menu interface, select , Switch M1 to M5;
- Press fire button 4 times, Switch : FIT mode → Power customization (W)→TC customization (SS, Ni, Ti);

b). Under Custom Mode, there are 2 ways to adjust the value:

- Manually switch custom curve per second (Shortly press fire button 4 times to enter the curve interface, press UP/DOWN to adjust, then long press fire button to exit.), see the chart below:



Power curve—current
watt shown on top right



TC curve—current
temperature shown on top right

- Connect to a computer app for custom settings

More instructions :

A. Sleep Mode:

Screen will auto turn off in 30s without operations, and will enter standby mode in 30min without operations/usage after screen is turned off. To activate, press power button.

B. Charging Mode :

The device will enter charging state with the battery icon running when it's connected to 5V power supply with USB cable; when the device is fully charged, the battery icon will stop running.

Note: It takes 2 hours to fully charge the device (5A/2V charger required).

C. Computer customization :

You can do the following customization operations via the VOOPOO Firmware: Prompt page, Temperature coefficient, Temperature curve, Wattage Curve, Increase /Decrease Coil type and Device Upgrade etc.

Download address: <http://www.voopoo.com>.

D. Function tips :

TIME OUT

TIME OUT

LOW WATTAGE

**CHECK
BATTERY**

CHECK COIL

**NEW COIL YES(+)
NO(-)**

ATOMIZER SHORT

**ATOMIZER
SHORT**

NO ATOMIZER

ATOMIZER RESISTANCE

HIGH

**CHECK
ATOMIZER**

**HIGH
ATOMIZER**

HIGH TEMPERATURE

HIGH TEMP

E. Accommodation coefficient of the

TC wire : $\frac{^{\circ}\text{F}}{^{\circ}\text{C}}$

Coefficient Range	Standard Default Value
Ni: 6000-7000	6500
Ti: 3500-4500	4000
SS: 1000-1600	1300
NC: 20-600	400
TC: 100-700	1000

Note:

1. The higher coil coefficient you set, the higher coil temperature you get;
2. Because of the different material for the wire, you may feel the power is not strong enough when vaping, you can properly adjust the coil coefficient at a higher rate to get a better vaping experience;
3. Please adjust the coil coefficient at a low rate, if too high there is a risk of firing cotton.

Attention :

- a. Please keep device away from heat, fire and water.
- b. Please do not drop, throw or immerse the device in water.
- c. Please use the proper working mode according to your atomizer's material.
- d. Please turn off or lock the device to avoid mis-firing when you take it on the go.
- e. Keep the contents of this package out of reach of children and pregnant women.

Manufacture:

VOOPOO[®]

Address : Block 1, Shapuyangyong
Industry Park, Songgang, Bao'an District,
Shenzhen , Guangdong , China .

Email : support@voopotech.com

Website : www.voopoo.com

Instagram: [voopotechofficial](https://www.instagram.com/voopotechofficial)

Facebook: [voopotech](https://www.facebook.com/voopotech)

Contact in EU :

Vaping Legal Ltd

Address : Armstrong House , First Avenue ,
Robin Hood Airport , Doncaster .
DN9 3GA. UK

Email : compliance@tpdcompliance.eu



Designed by Voopoo in California

www.voopoo.com

Made in China