

VOOPOO[®]

SPARK YOUR LIFE

VFL

Manual Instruction

POWERFUL TECHNOLOGY

FLAWLESS VERSATILITY

Introduction:

Thanks for your purchase of a VOOPOO product. In order for you to have better use of all the functions of this product, please carefully read the operation notes and detailed functional instructions before your first use of this product. If you have any problems with using this product, please contact our local agent or visit our official website at www.voopoo.com

Specifications:

Product Name: VFL

Atomizer capacity: 0.8ML

Size: 89*47*18.5mm

Output power: 10W

Output Voltage: adjustable 2.5V/3.0V/3.5V
constant voltage

Charging Current: 650mAh

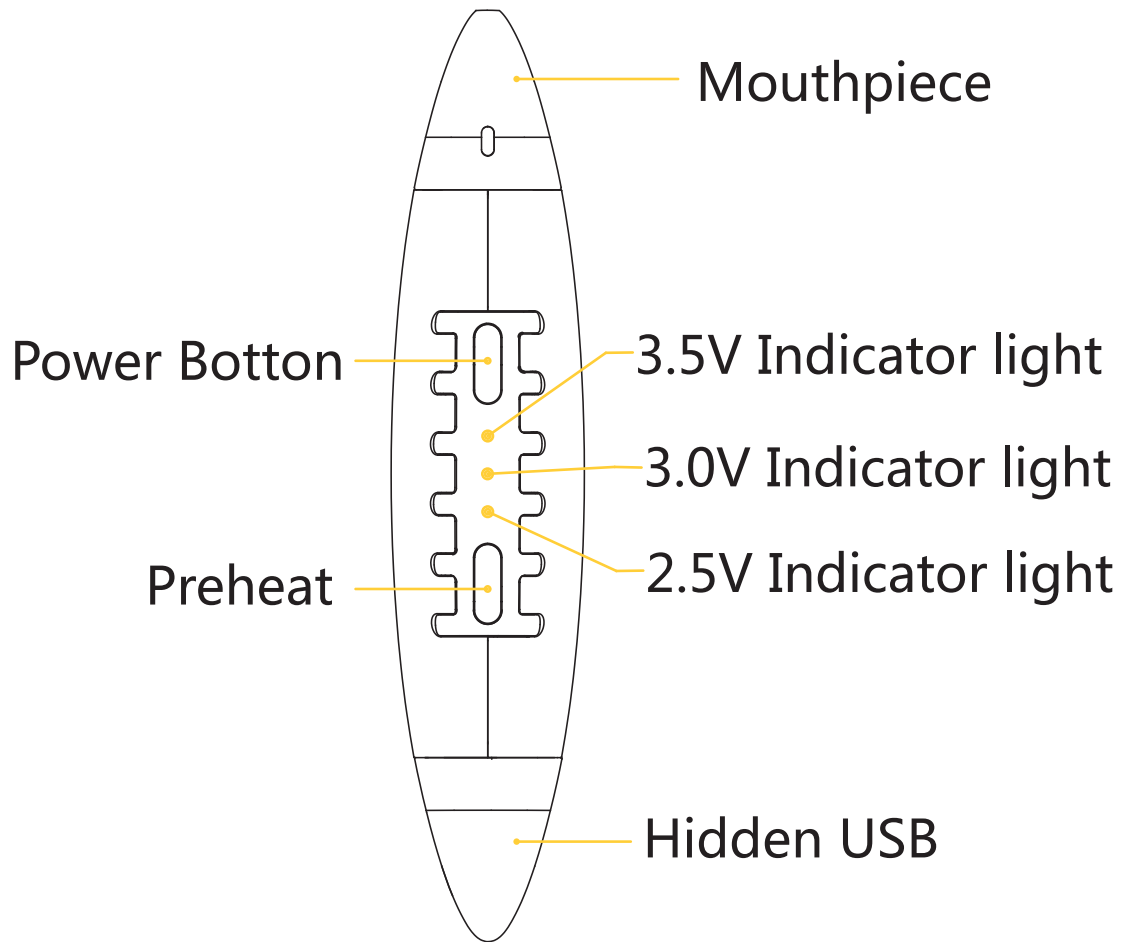
Charging Voltage: 5V/500mA

Resting Current: $\leq 5\mu\text{A}$

Resistance Range: 1.2 Ω

Product Material: zinc alloy+plastic

Product Appearance



Product Profile

Thank you for choosing our product! Please read this instruction carefully before use and confirm the accessories as below.

VFL 10w x 1

VFL Pod x 1

Usb cable x 1

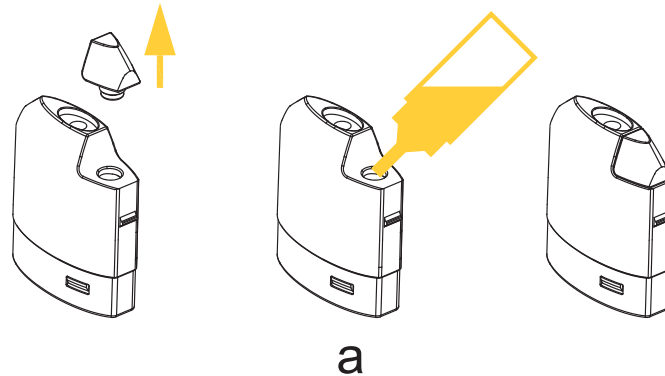
User manual x 1

Warranty card x 1

Operating Instructions:

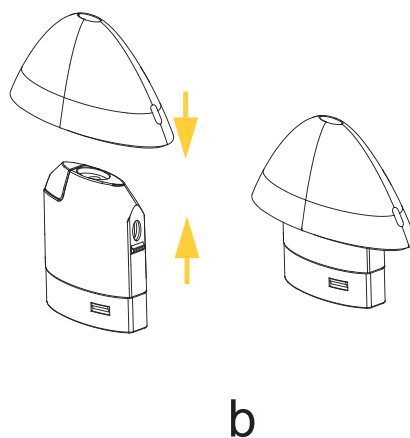
How To Fill Liquid:

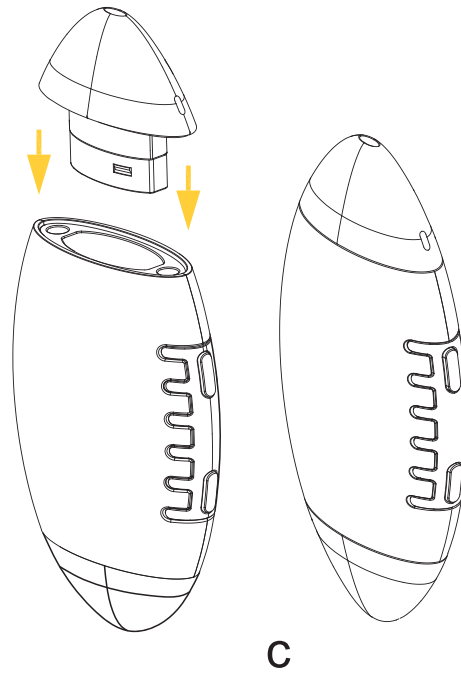
1. Pull up the silicone plug then fill in the liquid (see picture a).
2. Put back the silicone plug.



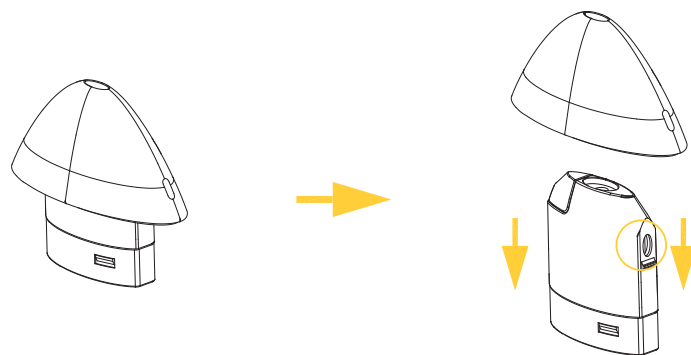
How To Assemble:

1. Connect the filled liquid pod with mouthpiece (see picture b).
2. Connect the above with battery part. Once you hear a click, it means correctly assembled (see picture c).





3. The pod and the nozzle is designed for the card slot, To remove the pod easily , we should shake it on the left and right promote. Shake it first on one promote and hear the sound, and then you shake the other promote and also hear the sound, so that it will be easy to remove the pod.



Basic Functions:

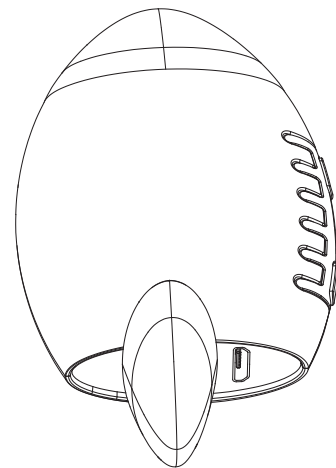
- 1、 Power Button on/off: Press the power button on / off five times continuously within 2 seconds. all gear position lights will be on for 3 seconds.
- 2、 Vaping trigger mode: MIC trigger smoking mode
- 3、 Preheating: Press the preheat button 3 times continuously within 2 seconds to start preheating the current set voltage gear lamp flashing prompt. The preheat cycle time is 15 seconds. If you want to stop preheating, press the preheat button once or keep to vaping.
- 4、 Voltage setting: Press this button continuously within 2 times to switch-over: 2.5v ... 3.0v ... 3.5 cycles.
- 5、 Low battery power prompt charge: 3 voltage level indicator light from high to low lamp lit after all on 2 seconds, after five cycles then close the tips.
- 6、 Protection function: output short circuit protection, low power protection, overcharge and over discharge protection and vaping overtime protection.

Charging:

How To Charge :

Twist the bottom 90 degrees to find the USB port. When charging is complete, twist it back to its original.

Micro USB charging: 5V - 500mA;
When USB plug in to charge the device, 3 voltage indicator light flashing from bottom to top during charging process, after full charge, the lamp goes out.



Attention:

- a. Before use please carefully read the user manual.
- b. Please keep device away from heat, fire and water.
- c. Please do not drop, throw or immerse the device in water as the out shell or inner components may be damaged.
- d. Please use the proper working mode for your atomizer's design and material.
- e. If the device is not used for a long time, please let it be charged periodically to avoid discharging.
- f. Keep the contents of this package out of reach of children and animals.
- g. This product is intended for use with various strengths of e liquid, if you come into direct contact with such liquid whilst using this product please wash your hands and forearms thoroughly.

Exposure to such liquid can be harmful if it gets into your eyes, in which case flush your eyes with water and seek medical attention. If swallowed,

rinse out your mouth and seek immediate medical attention. When seeking medical advice, have the liquid product container or label at hand.

- h. Do not use if pregnant or breast feeding.
- i. Do not use if you have an unstable heart condition, severe hypertension or diabetes.
- j. This product contains nicotine which is a highly addictive substance.
- k.

1) EEE Recycling:

This product should not be treated as household waste, instead it should be handed over to the applicable collection point for the recycling of electrical and electronic equipment.

2) Battery Recycling:

This products battery should not be treated as household waste, instead it should be handed over to the applicable used battery collection point for recycling.

Manufacture:

VOOPOO[®]

Address : Block 1, Shapuyangyong
Industry Park, Songgang, Bao'an District,
Shenzhen , Guangdong , China .

Email : support@voopotech.com

Website : www.voopoo.com

Instagram : [voopotechofficial](https://www.instagram.com/voopotechofficial)

Facebook : [voopotech](https://www.facebook.com/voopotech)

Contact in EU :

Vaping Legal Ltd

Address : Armstrong House , First Avenue ,
Robin Hood Airport , Doncaster .
DN9 3GA. UK

Email : compliance@tpdcompliance.eu



Designed by Voopoo in California

www.voopoo.com

Made in China